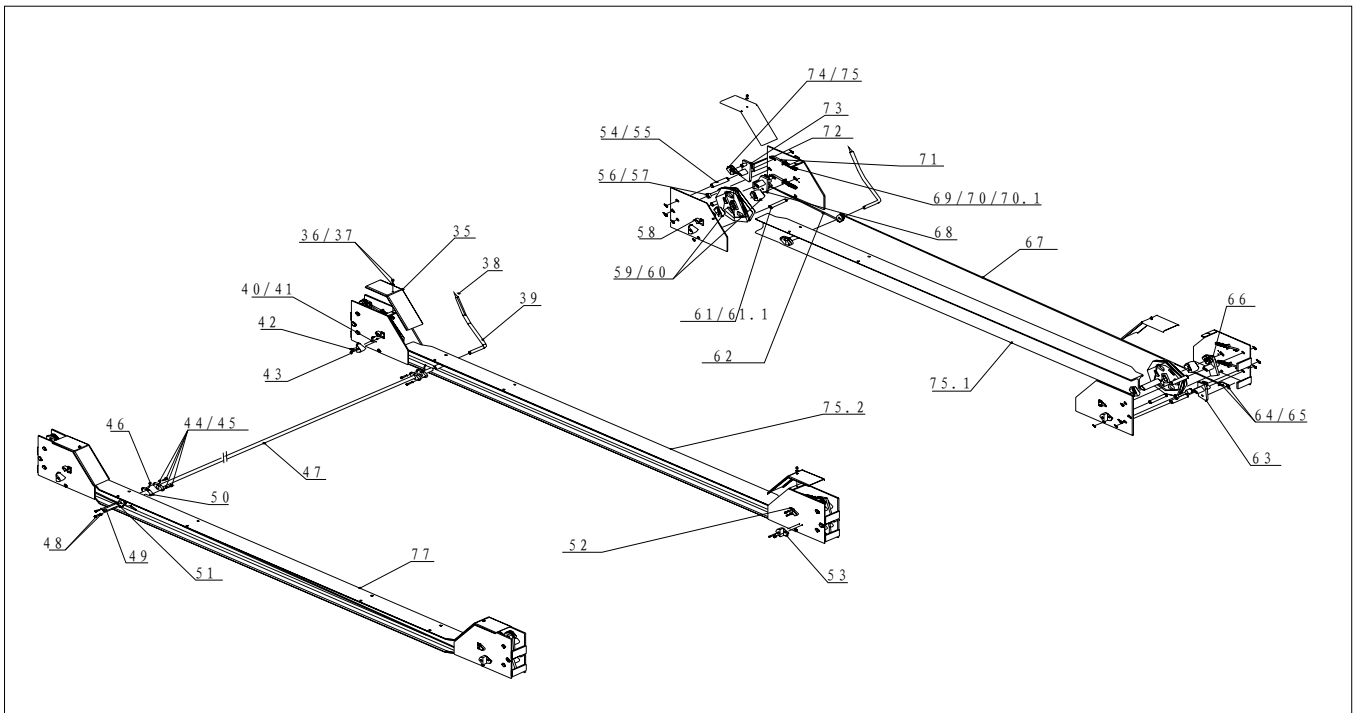
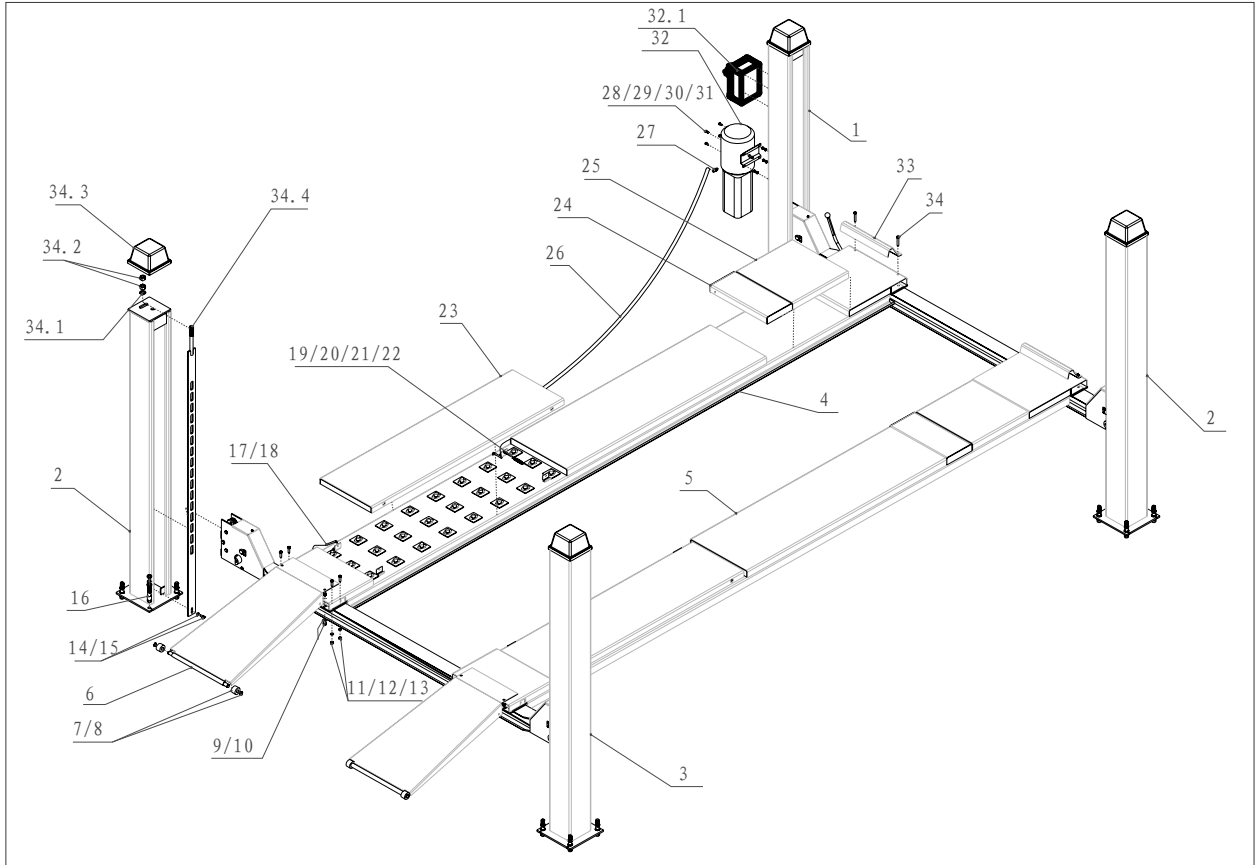


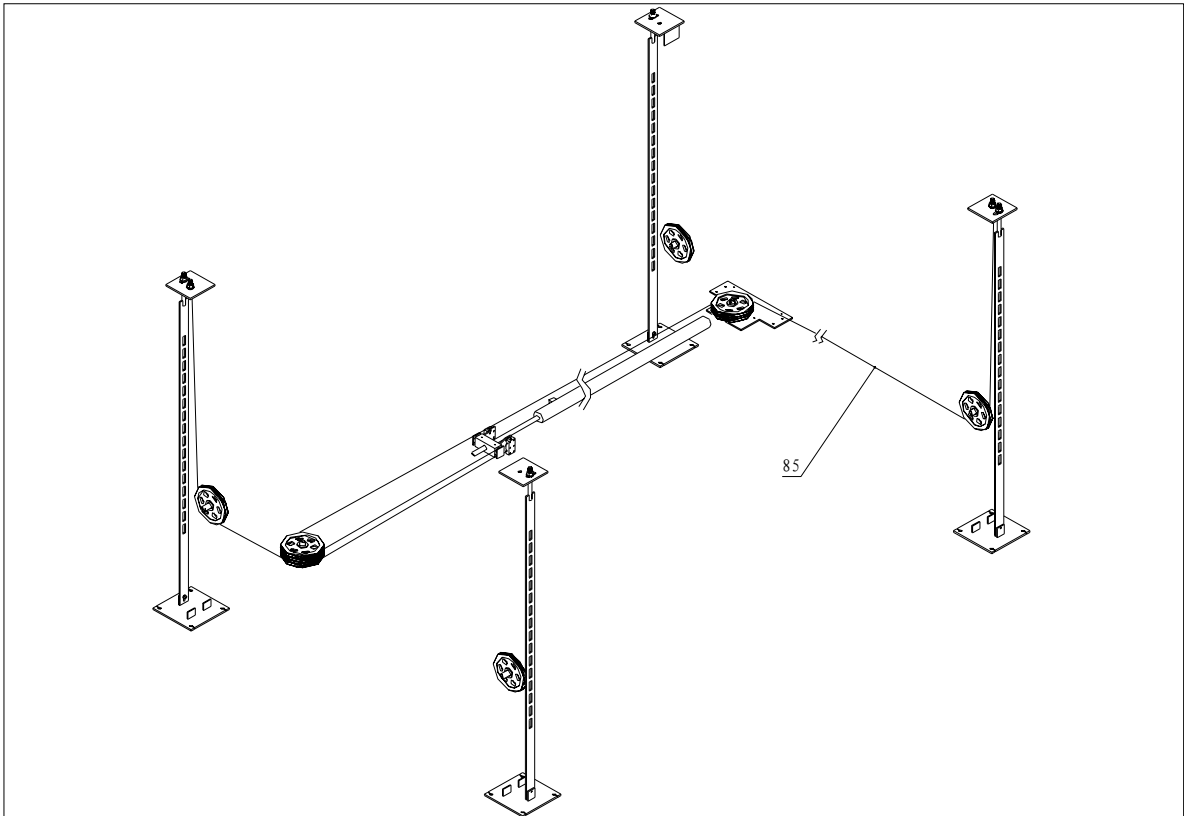
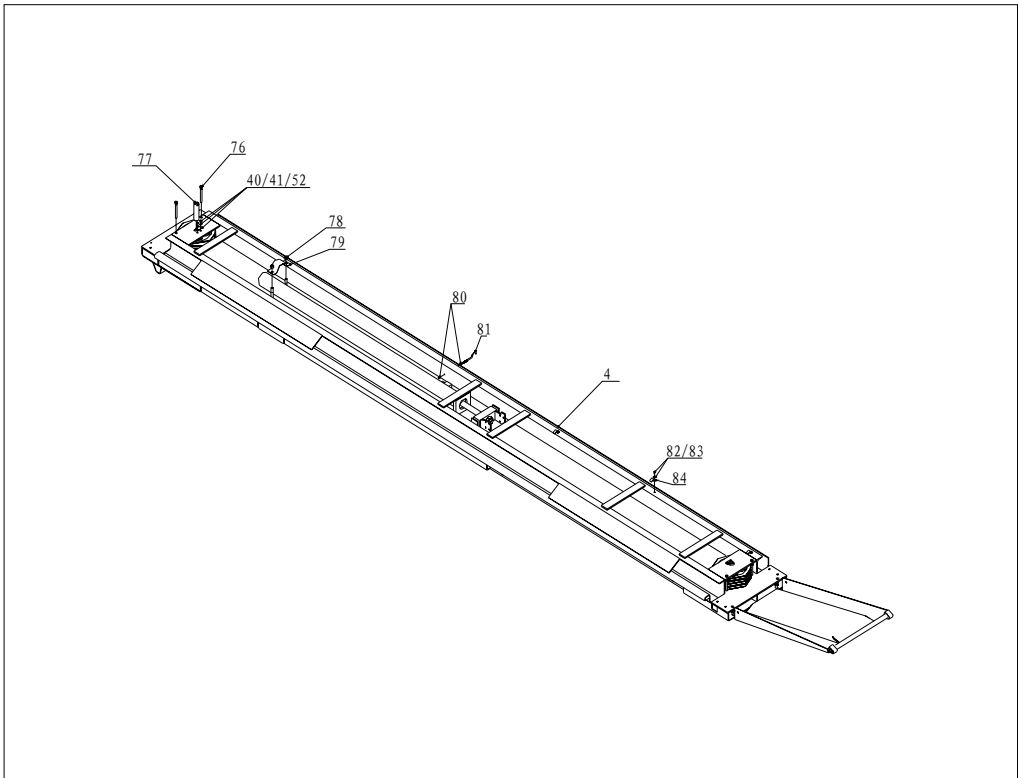
Four post lift

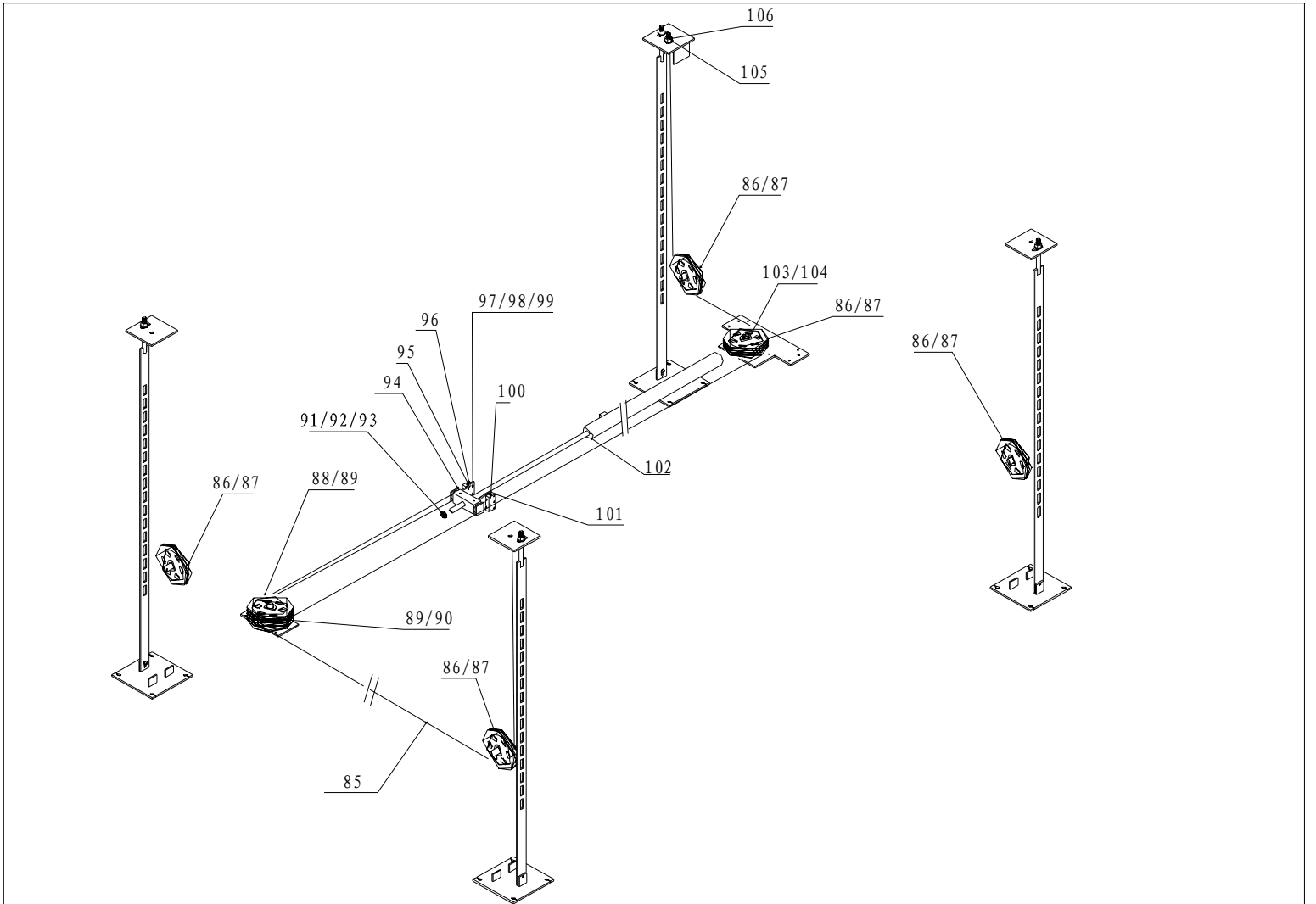
Installation & Operating Manual



F4.5D-4







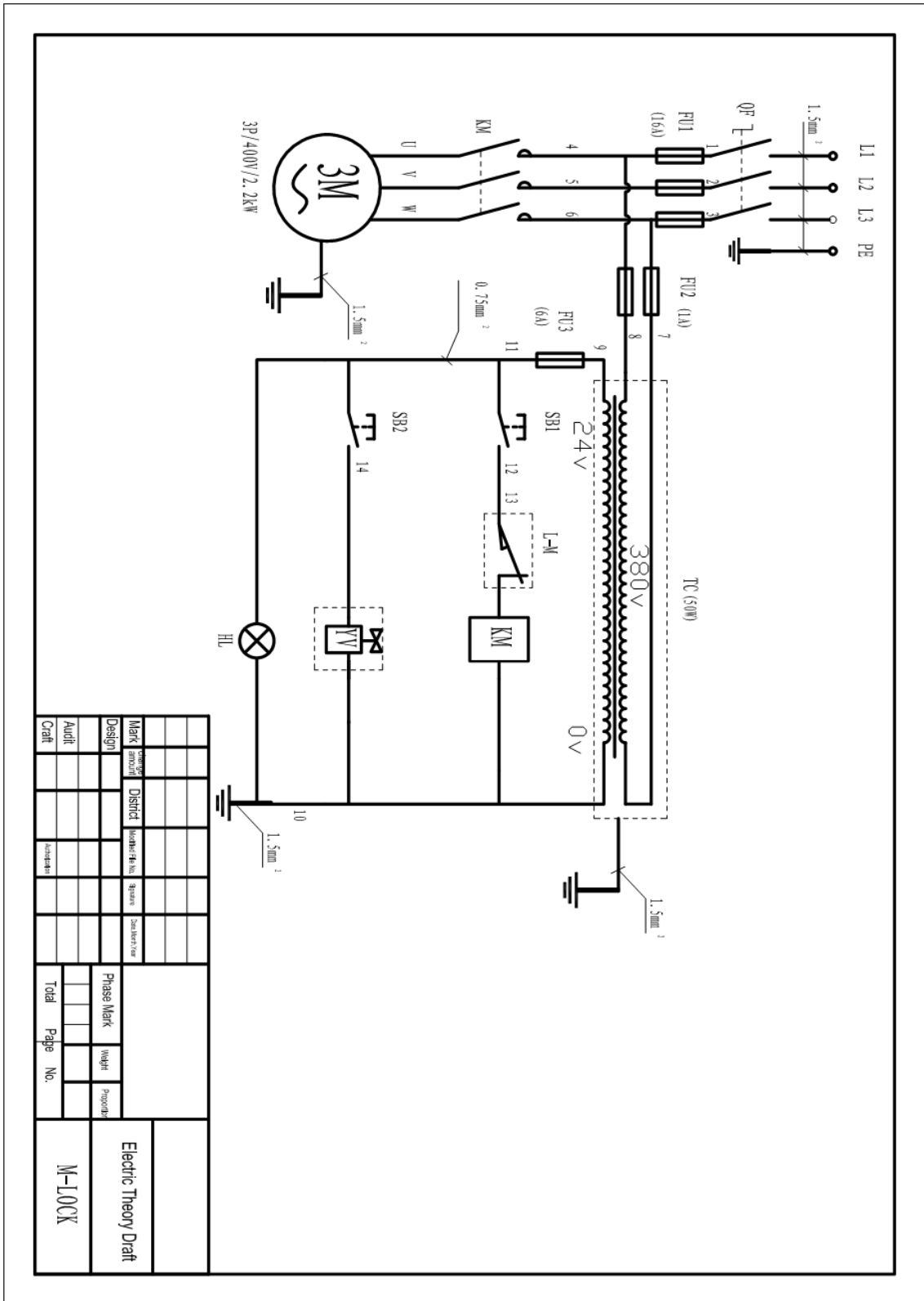
6.2 Parts list

No.	Chart No.	Description	Q'ty	Remark
1	SGM-801-01A-00	column 1	1	jointing parts
2	SGM-801-01BC-00	column 2	2	jointing parts
3	SGM-801-01D-00	column 3	1	jointing parts
4	SGM-803-01A-00	Runway 1	1	jointing parts
5	SGM-803-01A-00	Runway 2	1	jointing parts
6	SGM-803-02-00	Approach ramp	2	jointing parts
7	SGM-803-03	small wheel	4	
8	GB894.1-86	Spring washer A	4	D20
9	GB41-86	I Hexangular bolt C	4	M12
10	GB95-85	Flat washer C	8	D12
11	GB5781-86	Hexangular Bolt	12	M10X35
12	GB41-86	I Hexangular bolt C	12	M10
13	GB95-85	Flat washer C	12	D10
14	GB70-85	Inner Hexangular screw	4	M10X20
15	GB95-85	Flat washer C	4	D10
16		Anchol Bolt	16	M16X140
17	SGM-803-16-00	Raw pin parts	4	
18	GB/T15856.1-1995	Cross screw	4	
19	GB41-86	I Hexangular bolt C	8	M6
20	GB95-85	Flat washer C	8	D6
21	SGM-803-08	screw pole 1	8	φ6/Q235
22	GB4142-84	column screw spring	8	D1.6XD12XH88.8
23	SGM-803-07-00	ball-bearing cover	2	jointing parts
24	SGM-803-05-00	active board 2	2	jointing parts
25	SGM-803-04-00	active board 1	2	jointing parts
26	SGM-805-21	Hydraulic Hose	1	L=3450
27	SGM-805-20	Cylinder fitting	2	
28	GB5781-86	Hexangular Bolt	4	M8X15
29	GB41-86	I Hexangular bolt C	4	M8
30	GB95-85	Flat washer C	4	D8
31	GB93-87	Spring washer	4	
32		Power Unit	1	
32.1		control box	1	
33	SGM-803-13	front tire stop	2	
34	GB5780-86	Hexangular Bolt	4	M10X60
34.1	GB95-85	Flat washer C	4	d20
34.2	GB41-86	Hexangular Nut	8	M20
34.3	SGM-803-01	column cover	4	

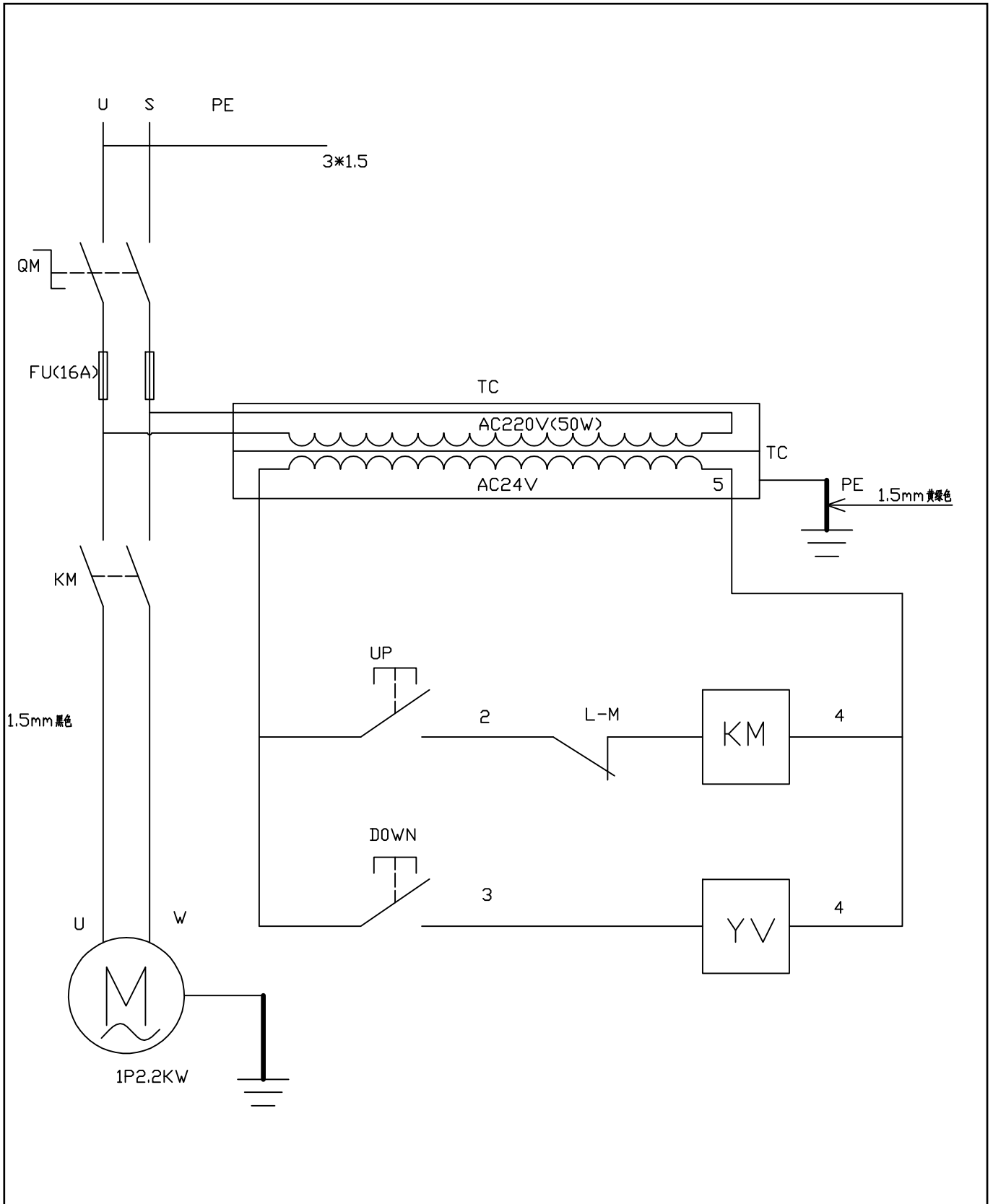
34.4	SGM-801-02-00	safety latch	4	
35	SGM-802-09	Hiding board	4	
No.	Chart No.	Description	Q'ty	Remark
36	GB818-85	Z cross screw	4	M6X10
37	GB95-85	Flat washer C	4	D6
38		bakelite ball	1	Blk
39	SGM-804-08	safety handle	1	φ15/Q235
40	GB818-85	Z cross screw	12	M6X12
41	GB93-87	spring washer	12	D6
42	GB823-88	small cross screw	8	M6X12
43	GB823-88	small cross screw	8	M6X35
44	GB70-85	Inner Hexangular screw	4	M6X25
45	GB93-87	Spring washer	8	D6
46	GB119-86	column pin	4	D4
47	SGM-804-01-00	safety transmission rod	1	
48	GB70-85	Inner Hexangular screw	4	M6X20
49	SGM-804-11	Safety handle spindle	1	φ15/Q235
50	SGM-804-09	Connection	2	
51	SGM-804-10	Connection 1	2	
52	SGM-802-08	Orientation board	6	
53	SGM-802-07	sliding block	8	Nylon
54	SGM-802-02	Spindle 1	8	
55	GB894.1-86	Spring washer A	16	D20
56	SGM-802-03	Spindle 2	4	
57	GB894.1-86	Spring washer A	8	D24
58	SGM-802-04	wheel spindle	4	
59	SGM-802-06	spindle bush 2	4	Nylon
60	SGM-802-05	spindle bush 1	4	Nylon(thick)
61	SGM-802-10	Spindle 3	4	
61.1	GB894.1-86	Spring washer A	8	D14
62	SGM-804-12-00	safety screw rod 1	2	jointing parts
63	SGM-804-06B-00	manual safety board 2	2	jointing parts
64	SGM-804-07	Pull block	4	
65	GB41-86	I Hexangular bolt C	8	M5
66	SGM-804-02B-00	safety block 2	2	jointing parts
67	SGM-804-13-00	safety screw rod 1	2	jointing parts
68	SGM-804-06A-00	manual safety board 1	2	jointing parts
69	GB/T2089-94	compressed spring	8	D1.8XD14X65
70	GB95-85	Flat washer C	8	D8
70.1	GB41-86	I Hexangular bolt C	16	M8
71	SGM-804-04	spring pull handle	8	φ8/Q235
72	GB91-86	cotter pin	8	D2.5X20

73	SGM-804-02A-00	safety block 1	2	jointing parts
74	SGM-804-03	safety idler wheel	4	
75	GB894.1-86	Spring washer A	8	D14
75.1	SGM-802-01A-00	Crossbeam 1	1	jointing parts
No.	Chart No.	Description	Q'ty	Remark
75.2	SGM-802-01B-00	Crossbeam 2	1	jointing parts
76	SGM-805-18	Orientation bolt	4	
77	SGM-805-07	Beam wheel 1	2	
78	GB41-86	I Hexangular bolt C	2	M12
79	SGM-803-A (N)	Cylinder hoop	1	
80	GB41-86	I Hexangular bolt C	2	M6
81	SGM-803-04	safety transmission rod clasp	1	φ6/Q235
82	GB818-85	Z cross screw	3	M5X12
83	GB96-85	big washer A & C	3	D5
84	SGM-803-15	Hose pump board	3	
85	SGM-805-19	steel cable	2	L=13820
86	SGM-805-01	Beam wheel 1	6	
87		bush 1	6	
88	SGM-805-03	Beam wheel 3	2	
89		bush 2	4	
90	SGM-805-02	Beam wheel 2	1	
91	GB6170-86	hexangular nut	1	M27
92	GB95-85	Flat washer C	1	D30
93	GB91-86	cotter pin	1	D4X45
94	SGM-805-05-00	cable retainer	1	jointing parts
95	SGM-805-13	cable block 2	1	
96	SGM-805-12	cable block 1	1	
97	GB70-85	Inner Hexangular screw	10	M8X60
98	GB95-85	Flat washer C	10	D8
99	GB93-87	spring washer	10	D8
100	SGM-805-14	cable block 3	1	
101	SGM-805-15	cable block 4	1	
102	sgm-805-20	Cylinder Fitting	1	flow-limiting valve included
103	SGM-805-11	set of Beam wheel spindle	1	
104	TB/7940.3-95	Revolving oil cup A	2	
105	GB95-85	Flat washer C	4	D20
106	GB6170-86	Hexangular Nut	8	M20
107		Hydraulic cylinder	1	

6.3 380V Electrical diagram



220V Electrical diagram



6.4 Hydraulic diagram

