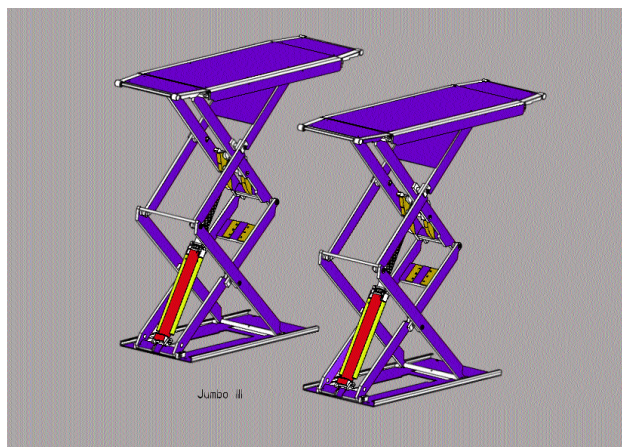


JUMBO-LIFT III

03/2001

Version: doppelte hydraulische Entriegelung



Ersatzteilliste



Spare part list



Liste des pièces de rechange



NUSSEBAUM
HEBETECHNIK

Nussbaum Hebeteknik GmbH & Co. KG || Korker Straße 24 || D-77694 Kehl-Bodersweier ||

Tel: +49 (0) 78 53/89 90 || Fax +49 (0) 78 53/87 87 ||

E-mail: nussbaum.lifts@t-online.de || <http://www.nussbaum-lifts.de> ||



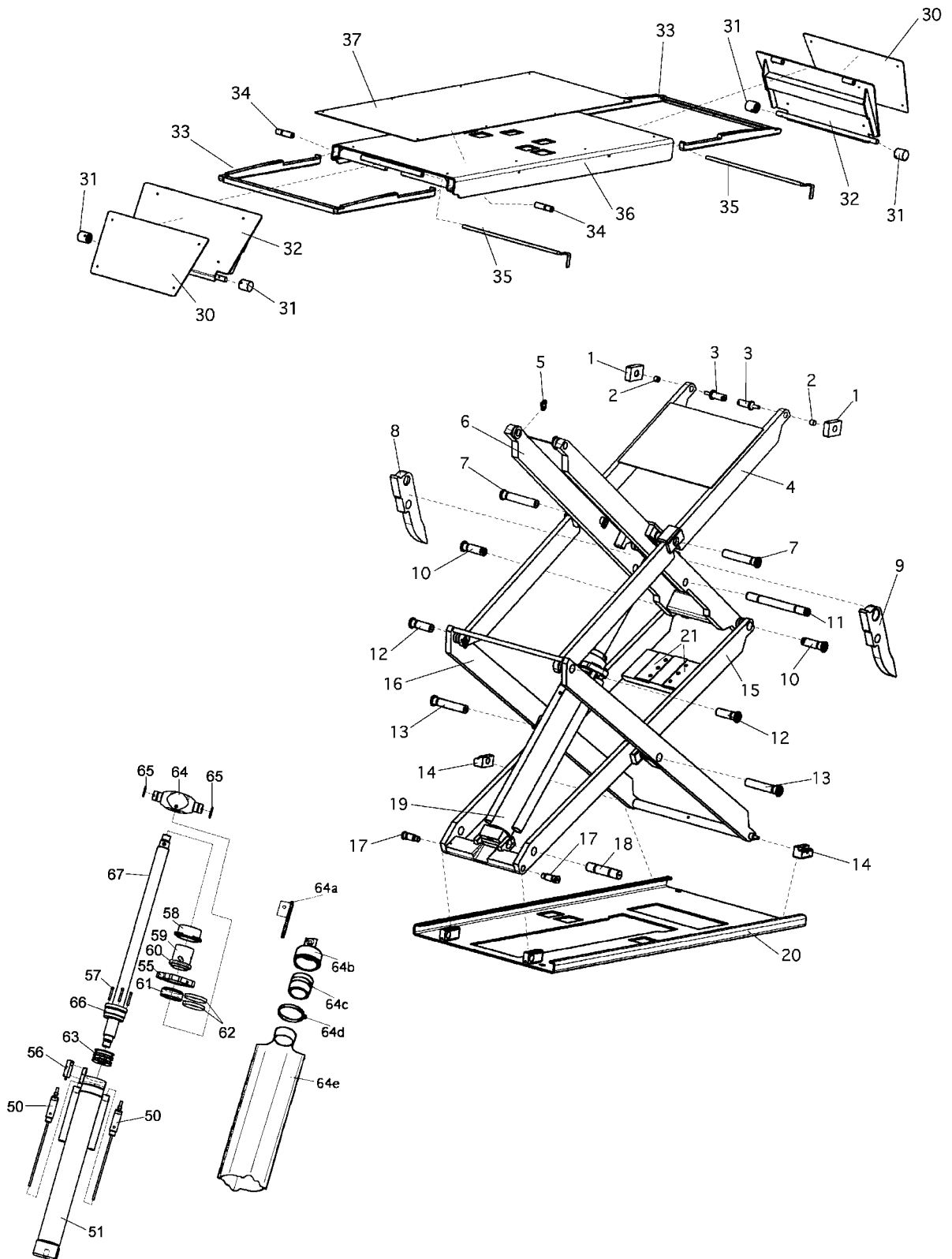
Die Ersatzteile müssen den vom Hersteller festgelegten technischen Anforderungen entsprechen. Dies ist nur bei Originalteilen gewährleistet. Bei Nichtverwendung der Originalteile oder bei unsachgemäß durchgeführter Reparatur durch den Betreiber erlischt jeglicher Garantieanspruch auf die ausgetauschten Teile und auf daraus resultierende Folgeschäden.



Spare parts must correspond to the technical standards set by the manufacturer. Only original parts fall under our warranty conditions. We deny every claim to non-original parts or damages caused by their use. Unqualified repairs to the lift nullifies any claim to the replaced parts and resulting damages.





Les pièces détachées doivent répondre aux critères technique du constructeur. Uniquement les pièces d'origines constructeur seront reconnues dans le cadre de la garantie, si des pièces adaptables sont utilisées le constructeur ne pourra être pou responsable pour les de'teriations occasionnées.

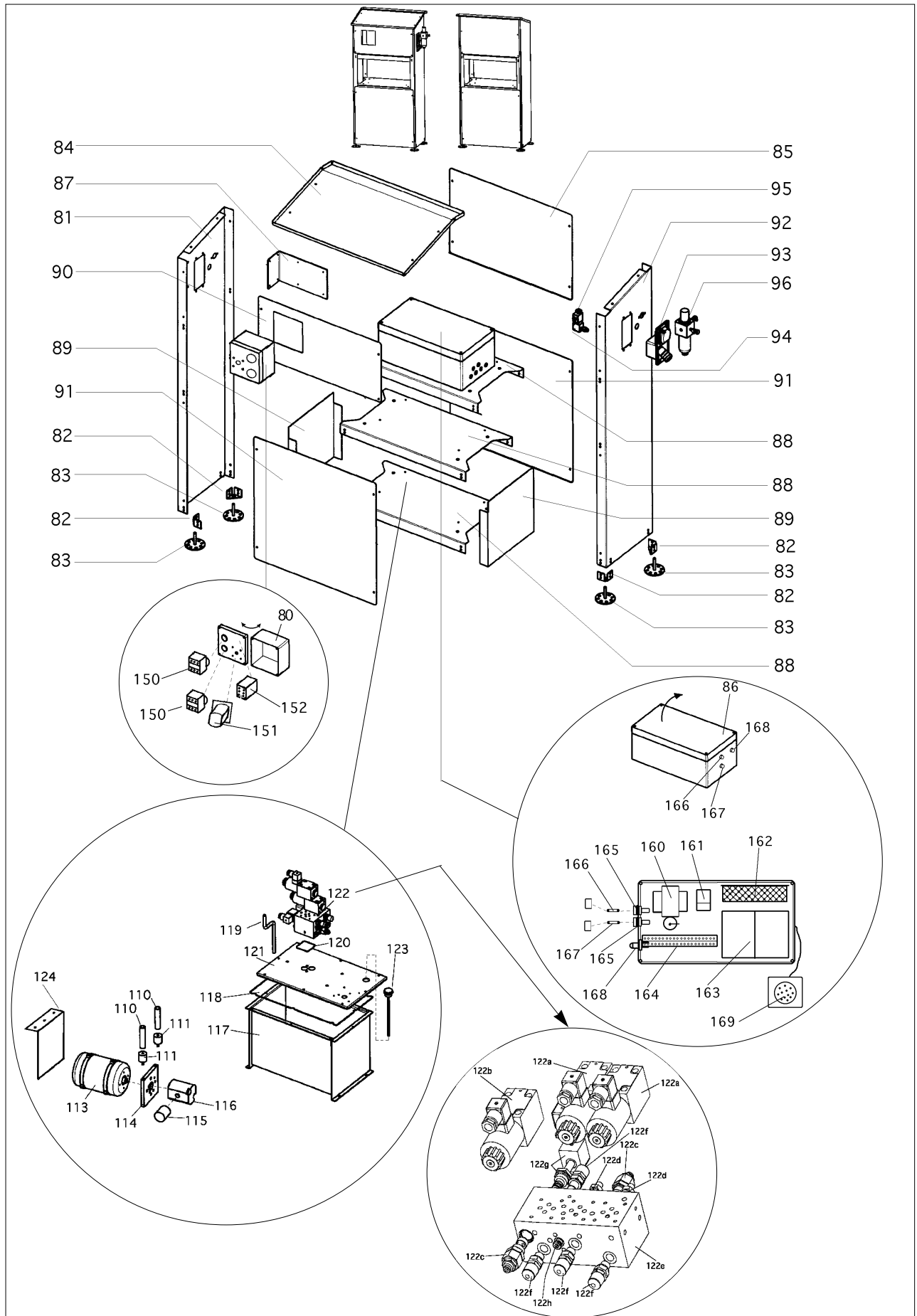




| Nr. | Bezeichnung | Bestellnummer | Stück/Bühne | Hersteller | Artikelnummer |
|---------------------------------|-------------------------|------------------|-------------|------------|------------------|
| | Schmiernippel | 970020 | 10 | O | H1/6x1 |
| 1 | Gleitstück oben | 030JL06168 | 4 | | |
| 2 | Anlaufrolle | 030JL06166 | 4 | | |
| 3 | Außenbolzen Schere | 030JL06165 | 4 | | |
| 4 | Außenschere oben | 030JL06153 | 2 | | |
| 5 | Sicherungsblech | 030JL02023 | 22 | | |
| | -Zylinderschraube | 9Z912M6X010ZN | 44 | | |
| 6 | Innenschere oben | 030JL06053 | 2 | | |
| 7 | Außenbolzen Schere | 030JL06025 | 6 | | |
| 8 | Zylindereinhängung | 030JL06083 | 2 | | |
| 9 | Zylindereinhängung | 030JL06084 | 2 | | |
| 10 | Außenbolzen Schere | 030JL06021 | 4 | | |
| 11 | Bolzen ZE | 030JL06090 | 2 | | |
| 12 | Außenbolzen Schere | 030JL06021 | 4 | | |
| 13 | Außenbolzen Schere | 030JL06024 | 4 | | |
| 14 | Gleitstück unten außen | 030JL06115 | 4 | | |
| 15 | Schere | 030JL06003 | 2 | | |
| 16 | Außenschere unten | 030JL06101 | 2 | | |
| 17 | Festlagerbolzen | 030JL05012 | 4 | | |
| 18 | Zylinderbolzen unten | 030JL02021 | 2 | | |
| 19 | Zylinder komplett | 030JL02000 | 2 | | |
| 20 | Bodenschiene | 030JL05003 | 2 | | |
| 21 | Abdrückplatte | 030JL06013 | 4 | | |
| | - Kegelkerbstift | 9KK14710x024ZN | 8 | | |
| | - Zylinderschraube | 9Z912M10x025ZN | 4 | | |
| 30 | Tränenblech kurz | 030JL08073 | 4 | | |
| 31 | Rolle | 9025SPR08026 | 8 | | |
| 32 | Rampe | 030JL08020 | 4 | | |
| 33 | Stützarm | 030JL0830 | 4 | | |
| 34 | Festlagerbolzen Schiene | 030JL08019 | 4 | | |
| 35 | Bolzen | 030JL08048 | 4 | | |
| 36 | Fahrschiene | 030JL08001 | 2 | | |
| 37 | Tränenblech lang | 030JL08070 | 2 | | |
| 50 | Abhubzylinder | 030JL22320 | 4 | | |
| 51 | Zylinderrohr | 030JL42201 | 2 | | |
| 55 | Ausrückung | 030JL70160 | 2 | | |
| 56 | Hallelementschalter | 990658 | 2 | U | HDD16ms60b155NK1 |
| 57 | Abhubstößel | 030JL02210 | 6 | | |
| 58 | Lagerschutz | 030JL10163 | 2 | 2 | |
| 60 | Rillenkugellager | 970812 | 2 | V | 61812-Y |
| 61,62 | Reibscheibe komplett | 030JL50155 | 2 | | + Ferritband |
| 63 | Kolben | 030JL22011 | 2 | | |
| | - O-ring | 981165 | 2 | S | 219-8307 |
| | - Nutring | 981324 | 4 | S | T18-70x55x9,5 |
| | - Führungsband | 981325 | 4 | S | GP6500700C380 |
| 64 | Zylinderboden oben | 030JL02016 | 2 | | |
| | - Spannstift | 9SH1481DM10X55ZN | 2 | | |
| 64a | Abdrückhülse | 030JL02174 | 2 | | |
| | Druckfeder | 9DFD-0,8X8,2X100 | 2 | | |
| | Sechskantschraube | 9S933M05X075ZN | 2 | | |
| | Sechskantmutter | 9MU985M05ZN | 2 | | |
| | Unterlagscheibe | 9SC9021M05ZN | 1 | | |
| 64b | Anbindungsscheibe | 9030JL02172 | 2 | | |
| 64c | Schubhülse | 030JL02176 | 2 | | |
| 64d | Schlauchklemme | 970975 | 2 | | |
| 64e | Spindelabdeckung | 9030JL09020 | 2 | | |
| 65 | Scheibe | 030JL02014 | 4 | | |
| 66 | Führungsbüchse | 030JL02209 | 2 | | |
| nur zusammen erhältlich: | | | | | |
| 59 | Kugelumlaufmutter | 970813 | 2 | T | SE4010R4EF |
| 67 | Kolbenstange | 970814 | 2 | T | KGSR-A-40x10 |

| No. | description | part number | pieces/ lift | supplier | article |
|---|---------------------------|------------------|--------------|----------|------------------|
|  | lubricating nipple | 970020 | 10 | O | H1/6x1 |
| 1 | sliding block | 030JL06168 | 4 | | |
| 2 | roll | 030JL06166 | 4 | | |
| 3 | bolt | 030JL06165 | 4 | | |
| 4 | scissor | 030JL06153 | 2 | | |
| 5 | metal sheet | 030JL02023 | 22 | | |
| | -socket head cap | 9Z912M6X010ZN | 44 | | |
| 6 | scissor | 030JL06053 | 2 | | |
| 7 | bolt | 030JL06025 | 6 | | |
| 8 | lever | 030JL06083 | 2 | | |
| 9 | lever | 030JL06084 | 2 | | |
| 10 | bolt | 030JL06051 | 4 | | |
| 11 | bolt | 030JL06090 | 2 | | |
| 12 | bolt | 030JL06021 | 4 | | |
| 13 | bolt | 030JL06024 | 4 | | |
| 14 | sliding block | 030JL06115 | 4 | | |
| 15 | scissor | 030JL06003 | 2 | | |
| 16 | scissor | 030JL06101 | 2 | | |
| 17 | bolt | 030JL05012 | 4 | | |
| 18 | bolt | 030JL02021 | 2 | | |
| 19 | cylinder complet | 030JL02000 | 2 | | |
| 20 | baseplate | 030JL05003 | 2 | | |
| 21 | push plate | 030JL06013 | 4 | | |
| | - grooved pin | 9KK14710x024ZN | 8 | | |
| | - socket head cap | 9Z912M10x025ZN | 4 | | |
| 30 | bulb plate | 030JL08073 | 4 | | |
| 31 | roll | 9025SPR08026 | 8 | | |
| 32 | ramp | 030JL08020 | 4 | | |
| 33 | support | 030JL0830 | 4 | | |
| 34 | bolt | 030JL08019 | 4 | | |
| 35 | round rod | 030JL08048 | 4 | | |
| 36 | runway | 030JL08001 | 2 | | |
| 37 | bulb plate | 030JL08070 | 2 | | |
| 50 | pipe break valve | 981124 | 2 | R | SV/M16X1,5 |
| 51 | cylinderpipe | 030JL42201 | 2 | | |
| 55 | support | 030JL70160 | 2 | | |
| 56 | hallelement switch | 990658 | 2 | U | HDD16ms60b155NK1 |
| 57 | pin | 030JL02210 | 2 | | |
| 58 | protection of the bearing | 030JL10163 | 2 | | |
| 60 | beraing | 970812 | 2 | V | 61812-Y |
| 60 | release lever | 030JL10160 | 2 | | |
| 61,62 | pulley complet | 030JL50155 | 2 | | + Ferritband |
| 63 | piston | 030JL02011 | 2 | | |
| | - o-ring | 981165 | 2 | S | 219-8307 |
| | - Stepseal | 981324 | 4 | S | T18-70x55x9,5 |
| | - rotating band | 981325 | 4 | S | GP6500700C380 |
| 64 | bottom of the cylinder | 030JL02016 | 2 | | |
| | - spring dowel sleeve | 9SH1481DM10X55ZN | 2 | | |
| 64a | bush | 030JL02174 | 2 | | |
| | pressure spring | 9DFD-0,8X8,2X100 | 2 | | |
| | hexagon head cap screw | 9S933M05X075ZN | 2 | | |
| | hexagon nut | 9MU985M05ZN | 2 | | |
| | washer | 9SC9021M05ZN | 1 | | |
| 64b | washer | 9030JL02172 | 2 | | |
| 64c | bush | 030JL02176 | 2 | | |
| 64d | hose clip | 970975 | 2 | | |
| 64e | cover | 9030JL09020 | 2 | | |
| 65 | washer | 030JL02014 | 4 | | |
| 66 | pressure spring | 9DFD-241ZN | 4 | W | D-241ZN |
| assembly only: | | | | | |
| 59 | circulation nut | 970813 | 2 | T | SE4010R4EF |
| 63 | piston rod | 970814 | 2 | T | KGS-R-A-40x10 |

| No. | désignation | référence | pièce/lift | fournisseur | articlé |
|----------------------------|---|------------------|------------|-------------|------------------|
| |  raccord fileté de graissage | 970020 | 10 | O | H1/6x1 |
| 1 | bloc à coulisse | 030JL06168 | 4 | | |
| 2 | poullie | 030JL06166 | 4 | | |
| 3 | axe | 030JL06165 | 4 | | |
| 4 | ciseaux | 030JL06153 | 2 | | |
| 5 | tôle | 030JL02023 | 22 | | |
| | - vis à tête cylindrique | 9Z912M6X010ZN | 44 | | |
| 6 | ciseaux | 0230JL06053 | 2 | | |
| 7 | axe | 030JL06025 | 6 | | |
| 8 | levier | 030JL06083 | 2 | | |
| 9 | levier | 030JL06084 | 2 | | |
| 10 | axe | 030JL06051 | 4 | | |
| 11 | axe | 030JL06090 | 2 | | |
| 12 | axe | 030JL06021 | 4 | | |
| 13 | axe | 030JL06024 | 4 | | |
| 14 | bloc à coulisse | 030JL06115 | 4 | | |
| 15 | ciseaux | 030JL06003 | 2 | | |
| 16 | ciseaux | 030JL06101 | 2 | | |
| 17 | axe | 030JL05012 | 4 | | |
| 18 | axe | 030JL02021 | 2 | | |
| 19 | cylindre complete | 030JL02000 | 2 | | |
| 20 | plaque de base | 030JL05003 | 2 | | |
| 21 | plaque de compression | 030JL06013 | 4 | | |
| | - goupille cannelée | 9KK14710x024ZN | 8 | | |
| | - vis à tête cylindrique | 9Z912M10x025ZN | 4 | | |
| 30 | tôle larmée | 030JL08073 | 4 | | |
| 31 | poulie | 9025SPR08026 | 8 | | |
| 32 | ramp | 030JL08020 | 4 | | |
| 33 | support | 030JL0830 | 4 | | |
| 34 | axe | 030JL08019 | 4 | | |
| 35 | barre ronde | 030JL08048 | 4 | | |
| 36 | rail de roulement | 030JL08001 | 2 | | |
| 37 | tôle larmée | 030JL08070 | 2 | | |
| 50 | clapet d'arrêt automatique | 981124 | 2 | R | SV/M16X1,5 |
| 51 | tûbe cylindre | 030JL42201 | 2 | | |
| 55 | support | 030JL70160 | 2 | | |
| 56 | Hallelement actionneur | 990658 | 2 | U | HDD16ms60b155NK1 |
| 57 | taquet | 030JL02210 | 6 | | |
| 58 | protection | 030JL10163 | 2 | 2 | |
| 60 | coussinet | 970812 | 2 | V | 61812-Y |
| 61,62 | disque complet | 030JL50155 | 2 | | + Ferritband |
| 63 | piston | 030JL22011 | 2 | | |
| | - O-ring | 981165 | 2 | S | 219-8307 |
| | - stepseal | 981324 | 4 | S | T18-70x55x9,5 |
| | - ceinture de l'obus | 981325 | 4 | S | GP6500700C380 |
| 64 | fond du cylindre | 030JL02016 | 2 | | |
| | - douille de serrage | 9SH1481DM10X55ZN | 2 | | |
| 64a | douille | 030JL02174 | 2 | | |
| | ressort de ou à pression | 9DFD-0,8X8,2X100 | 2 | | |
| | boulon hexagonal | 9S933M05X075ZN | 2 | | |
| | ecrou | 9MU985M05ZN | 2 | | |
| | rondelle | 9SC9021M05ZN | 1 | | |
| 64b | rondelle | 9030JL02172 | 2 | | |
| 64c | douille | 030JL02176 | 2 | | |
| 64d | bride | 970975 | 2 | | |
| 64e | couverture | 9030JL09020 | 2 | | |
| 65 | rondelle | 030JL02014 | 4 | | |
| 66 | douille | 030JL02209 | 2 | | |
| seulement assemblé: | | | | | |
| 59 | circulation écrou sphérique | 970813 | 2 | T | SE4010R4EF |
| 67 | tige de piston | 970814 | 2 | T | KGS-R-A-40x10 |





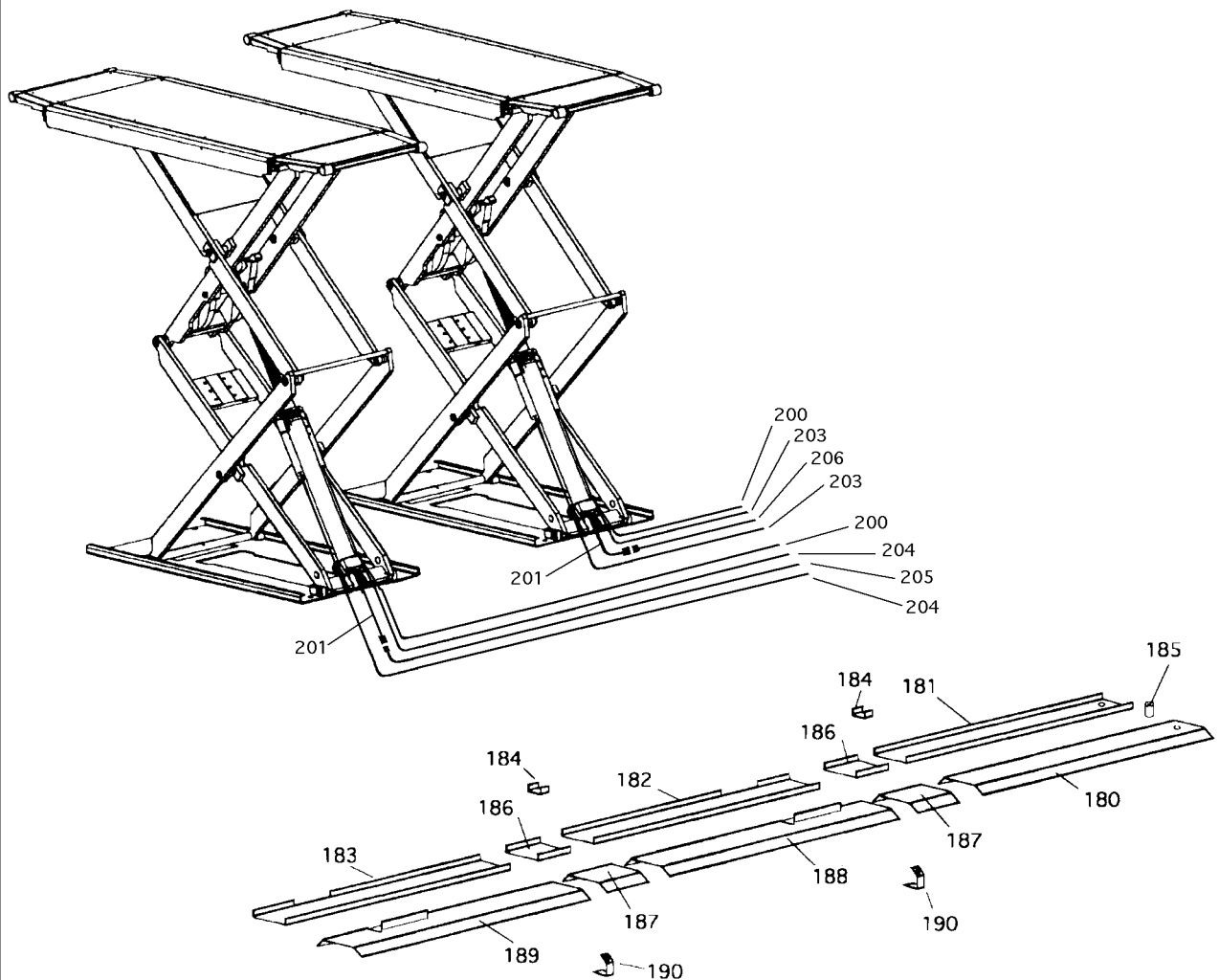
| Nr. | Bezeichnung | Bestellnummer | Stück/Bühne | Hersteller | Artikel |
|------|-------------------------|-----------------|-------------|------------|-----------------|
| 80 | Schaltkasten | 990242 | 1 | A | CT-682 |
| 81 | Seitenteil | 030JL01106 | 1 | | |
| 82 | Winkel | 030JL01118 | 4 | | |
| 83 | Fuß | 030JL01133 | 4 | | |
| 84 | Ablage | 030JL01115 | 1 | | |
| 85 | Abdeckung | 030JL01121 | 1 | | |
| 86 | Schaltkasten | 030JL03023 | 1 | A | CT-882 |
| 87 | Haltewinkel | 030JL03015 | 1 | | |
| 88 | Zwischenblech | 030JL01112 | 3 | | |
| 89 | Seitenblech | 030JL01139 | 2 | | |
| 90 | Abdeckung | 030JL01124 | 1 | | |
| 91 | Abdeckung | 030JL01127 | 2 | | |
| 92 | Seitenteil | 030JL01109 | 1 | | |
| 93 | Energieset komplett | 225SL05091 | 1 | | |
| 94 | Pneumatikventil | 960047 | 1 | G | 0820019977 |
| 95 | Spule | 960048 | 1 | G | 1824210243 |
| 96 | Druckregler | 960140 | 1 | P | 5105008 |
| 97 | Verschraubung | 960121 | 2 | P | G1/8ÖMR41-06.18 |
| 110 | Rohr | 030JL01026 | 1 | | |
| 111 | Gummi-puffer | 970512 | 3 | P | D30M8X21/M8 |
| 112 | Haltewinkel | 040HT01012 | 1 | | |
| 113 | Motor | 990445 | 1 | Q | 3 kw/3000/380V |
| | Motor Japan | 990949 | 1 | Q | |
| | Motor 3x220V 50Hz | | 1 | Q | D25-100/2 3kw |
| | Motor 1x220V 60Hz | | 1 | Q | E8J2B 2,2kw |
| 114 | Flansch | 040HT01011 | 1 | | |
| 115 | Saugfilter | 980012 | 1 | B.1 | 9MD-L60 |
| 116 | Zahnradpumpe | 9750510112304 | 1 | G | 0510112304 |
| | Za.pumpe für 2,2kwmotor | 9750510110003 | 1 | G | 0510110003 |
| 117 | Ölbehälter | 030JL01053 | 1 | | |
| 118 | Dichtung | 030JL01067 | 1 | | |
| 119 | Rohr | 030JL01026 | 1 | | |
| 120 | Dichtung | 030JL01069 | 1 | | |
| 121 | Deckel | 030JL01066 | 1 | | |
| 122 | Steuerblock komplett | 99-529-02-00-5 | 1 | Seeh. | |
| 122a | Proportionalventil | 150302 | 1 | Seeh. | WEP06DA01B0240D |
| 122b | Wegeventil | 155413 | 1 | Seeh. | WE06DA77A0240-X |
| 122c | Druckbegrenzungsventil | 155211 | 2 | | |
| 122d | Drosselventil | 120026 | 2 | | |
| 122e | Unterplatte | 99-529-04-005-5 | 1 | Seeh. | |
| 122f | Meßanschluß | 155470 | 1 | | G1/4 |
| 122g | Magnetventil | 980338 | 1 | L.1 | WS08Y |
| 122h | Rückschlagventil | 980480 | 1 | C | 16-3421 |
| 123 | Ölpeilstab | 980098 | 1 | M | TCAS-34 |
| 124 | Befestigungswinkel | 030JL01028 | 1 | | |
| 150 | Drucktaster | 990130 | 2 | A.1 | RD-X |
| | - Tastenschild | 990131 | 2 | A.1 | 32T |
| | - Kontaktblock | 990132 | 2 | A.1 | 076 |
| | - Kontaktelement | 990133 | 2 | A.1 | E10 |
| 151 | Hauptschalter | 990129 | 1 | E | A105/6.100 |
| 152 | Schütz | 990269 | 1 | H | BC6-3001 |
| 160 | Trafo | 990319 | 1 | J | MS21884,2A |
| 161 | Relais | 990267 | 1 | D.1 | 553490240040 |
| 162 | Netzteil | 940101 | 1 | E.1 | S60-2460 |
| 163 | Achscontroller | 9030JL03300 | 1 | | |
| 164 | Minibandklemme | 990022 | 1 | C.1 | MBK4 |
| 165 | Sicherungshalter | 990125 | 1 | D | 2918810 |
| 166 | Sicherung | 990299 | 1 | F.1 | 4,2A |
| 167 | Sicherung | 990475 | 1 | F.1 | 1,0A |
| 168 | Überbrückungsschalter | 990143 | 1 | G.1 | 618-006 |
| 169 | Lautsprecher | 990331 | 1 | H.1 | B/P228 |



| No. | description | part number | pieces/ lift | supplier | article |
|------|--------------------------|-----------------|--------------|----------|-----------------|
| 80 | case | 990242 | 1 | A | CT-682 |
| 81 | side part | 030JL01106 | 1 | | |
| 82 | angle | 030JL01118 | 4 | | |
| 83 | foot | 030JL01133 | 4 | | |
| 84 | place of deposit | 030JL01115 | 1 | | |
| 85 | cover | 030JL01121 | 1 | | |
| 86 | case | 030JL03023 | 1 | A | CT-882 |
| 87 | angle | 030JL03015 | 1 | | |
| 88 | sheet metal | 030JL01112 | 3 | | |
| 89 | side part | 030JL01139 | 2 | | |
| 90 | cover | 030JL01124 | 1 | | |
| 91 | cover | 030JL01127 | 2 | | |
| 92 | side part | 030JL01109 | 1 | | |
| 93 | energy unit complet | 225SL05091 | 1 | | |
| 94 | pneumaticvalve | 960047 | 1 | G | 0820019977 |
| 95 | coil | 960048 | 1 | G | 1824210243 |
| 96 | pneumatic unit | 960140 | 1 | P | 5105008 |
| 97 | threaded joint | 960121 | 2 | P | G1/8ÖMR41-06.18 |
| 110 | pipe | 030JL01026 | 1 | | |
| 111 | rubber | 970512 | 3 | P | D30M8X21/M8 |
| 112 | angle | 040HT01012 | 1 | | |
| 113 | motor | 990445 | 1 | Q | 3,0kw/3000/380V |
| | motor Japan | 990949 | 1 | Q | |
| | motor 3x220V 50Hz | | 1 | Q | D25-100/2 3kw |
| | motor 1x220V 60Hz | | 1 | Q | E8J2B 2,2kw |
| 114 | flange | 040HT01011 | 1 | | |
| 115 | filter | 980012 | 1 | B.1 | 9MD-L60 |
| 116 | gear pump | 9750510112304 | 1 | G | 0510112304 |
| | gear pump (motor 2,2kw) | 97505101100003 | 1 | G | 0510110003 |
| 117 | oil tank | 030JL01053 | 1 | | |
| 118 | seal | 030JL01067 | 1 | | |
| 119 | pipe | 030JL01026 | 1 | | |
| 120 | seal | 030JL01069 | 1 | | |
| 121 | cover | 030JL01066 | 1 | | |
| 122 | hydraulic block complete | 99-529-02-00-5 | 1 | Seeh. | |
| 122a | proportional valve | 150302 | 1 | Seeh. | WEP06DA01B0240D |
| 122b | way valve | 155413 | 1 | Seeh. | WE06DA77A0240-X |
| 122c | pressure relief valve | 155211 | 2 | | |
| 122d | flow control valve | 120026 | 2 | | |
| 122e | hydraulic block | 99-529-04-005-5 | 1 | Seeh. | |
| 122f | measuring connection | 155470 | 1 | | G1/4 |
| 122g | magnetic valve | 980338 | 1 | L.1 | WS08Y |
| 122h | holding valve | 980480 | 1 | C | 16-3421 |
| 123 | oil level gauge | 980098 | 1 | M | TCAS-34 |
| 124 | fixing device | 030JL01028 | 1 | | |
| 150 | press button | 990130 | 2 | A.1 | RD-X |
| | - escutcheon | 990131 | 2 | A.1 | 32T |
| | - contact block | 990132 | 2 | A.1 | 076 |
| | - contact element | 990133 | 2 | A.1 | E10 |
| 151 | main switch | 990129 | 1 | E | A105/6.100 |
| 152 | up contactor | 990269 | 1 | H | BC6-3001 |
| 160 | transformer | 990319 | 1 | J | MS21884,2A |
| 161 | relais | 990267 | 1 | D.1 | 553490240040 |
| 162 | power pack | 940101 | 1 | E.1 | S60-2460 |
| 163 | controller | 9030JL03300 | 1 | | |
| 164 | binding post | 990022 | 1 | C.1 | MBK4 |
| 165 | holder of the fuse | 990125 | 1 | D | 2918810 |
| 166 | fuse | 990299 | 1 | F.1 | 4,2A |
| 167 | fuse | 990475 | 1 | F.1 | 1,0A |
| 168 | bypass switch | 990143 | 1 | G.1 | 618-006 |
| 169 | loudspeaker | 990331 | 1 | H.1 | B/P228 |





| No. | désignation | référence | pièce/lift | fournisseur | articlé |
|------|--------------------------|-----------------|------------|-------------|-----------------|
| 80 | caisse | 990242 | 1 | A | CT-682 |
| 81 | partie latérale | 030JL01106 | 1 | | |
| 82 | cornière | 030JL01118 | 4 | | |
| 83 | ped | 030JL01133 | 4 | | |
| 84 | récepteur | 030JL01115 | 1 | | |
| 85 | couverture | 030JL01121 | 1 | | |
| 86 | caisse | 030JL03023 | 1 | A | CT-882 |
| 87 | angle | 030JL03015 | 1 | | |
| 88 | tôle | 030JL01112 | 3 | | |
| 89 | partie latérale | 030JL01139 | 2 | | |
| 90 | couverture | 030JL01124 | 1 | | |
| 91 | couverture | 030JL01127 | 2 | | |
| 92 | partie latérale | 030JL01109 | 1 | | |
| 93 | energy unité | 225SL05091 | 1 | | |
| 94 | pneumatique valve | 960047 | 1 | G | 0820019977 |
| 95 | bobine | 960048 | 1 | G | 1824210243 |
| 96 | pneumatique unité | 960140 | 1 | P | 5105008 |
| 97 | raccord à vis | 960121 | 2 | P | G1/8ÖMR41-06.18 |
| 110 | tube | 030JL01026 | 1 | | |
| 111 | caoutchouc | 970512 | 3 | P | D30M8X21/M8 |
| 112 | angle | 040HT01012 | 1 | | |
| 113 | moteur | 990445 | 1 | Q | 3,0kw/3000/380V |
| | moteur Japan | 990949 | 1 | Q | |
| | moteur 3x220V 50Hz | | 1 | Q | D25-100/2 3kw |
| | moteur 1x220V 60Hz | | 1 | Q | E8J2B 2,2kw |
| 114 | bride | 040HT01011 | 1 | | |
| 115 | filtre | 980012 | 1 | B.1 | 9MD-L60 |
| 116 | pompe à engrenages | 9750510112304 | 1 | G | 0510112304 |
| | pompe (moteur 2,2kw) | 9750510110003 | 1 | G | 0510110003 |
| 117 | réservoir | 030JL01053 | 1 | | |
| 118 | garniture | 030JL01067 | 1 | | |
| 119 | tube | 030JL01026 | 1 | | |
| 120 | garniture | 030JL01069 | 1 | | |
| 121 | couvercle | 030JL01066 | 1 | | |
| 122 | bloc hydraulique complet | 99-529-02-00-5 | 1 | Seeh. | |
| 122a | distributeur | 155413 | 1 | Seeh. | WE06DA77A0240-X |
| 122c | limiteur de pression | 155211 | 2 | | |
| 122d | vanne d'étranglement | 120026 | 2 | | |
| 122e | bloc hydraulique | 99-529-04-005-5 | 1 | Seeh. | |
| 122f | raccord de mesure | 155470 | 1 | | G1/4 |
| 122g | vanne magnetique | 980338 | 1 | L.1 | WS08Y |
| 122h | clapet antiretour | 980480 | 1 | C | 16-3421 |
| 123 | indicateur d'huile | 980098 | 1 | M | TCAS-34 |
| 124 | cornière | 030JL01028 | 1 | | |
| 150 | bouton poussoir | 990130 | 2 | A.1 | RD-X |
| | - étiquette | 990131 | 2 | A.1 | 32T |
| | - contactbloc | 990132 | 2 | A.1 | 076 |
| | - contact élément | 990133 | 2 | A.1 | E10 |
| 151 | interrupteur principal | 990291 | 1 | E | A105/22 |
| 152 | contacteur interrupteur | 990269 | 1 | H | BC6-3001 |
| 160 | transformateur | 990319 | 1 | J | MS21884,2A |
| 161 | relais | 990267 | 1 | D.1 | 553490240040 |
| 162 | bloc d'alimentation | 940101 | 1 | E.1 | S60-2460 |
| 163 | controlleur | 9030JL03300 | 1 | | |
| 164 | borne de connexion | 990022 | 1 | C.1 | MBK4 |
| 165 | fusible à vis | 990125 | 1 | D | 2918810 |
| 166 | fusible de sécurité | 990299 | 1 | F.1 | 4,2A |
| 167 | fusible de sécurité | 990475 | 1 | F.1 | 1,0A |
| 168 | bouton poussoir | 990143 | 1 | G.1 | 618-006 |
| 169 | haut paleur | 990331 | 1 | H.1 | B/P228 |



| Nr. | Bezeichnung | Bestellnummer | Stück/Bühne | Hersteller | Artikel |
|-----|--------------------------------|---------------|-------------|------------|---------------|
| 180 | Abdeckung | 030JL29016 | 1 | | |
| 181 | Abdeckung | 030JL25044 | 1 | | |
| 182 | Abdeckung | 030JL25042 | 1 | | |
| 183 | Abdeckung | 030JL25043 | 1 | | |
| 184 | Befestigung | 030JL05050 | 2 | | |
| 185 | Hülse | 030JL05047 | 1 | | |
| 186 | Abdeckung | 030JL09024 | 2 | | |
| 187 | Abdeckung | 030JL09026 | 2 | | |
| 188 | Abdeckung | 030JL09020 | 1 | | |
| 189 | Abdeckung | 030JL09022 | 1 | | |
| 190 | Befestigung | 030JL05053 | 2 | | |
| 200 | Hall elementschalter + leitung | 990658 | 2 | U | HDD16ms60b155 |
| 201 | Hydraulikleitung 400mm | 981170 | 2 | I.1 | 2SCDN08 |
| 203 | Hydraulikleitung 3000mm | | 2 | | |
| 204 | Hydraulikleitung 4400mm | | 2 | | |
| 205 | Hydraulikleitung 3400 mm | | 1 | | |
| 206 | Hydraulikleitung 2000mm | | 1 | | |



| Nr. | description | part number | pieces/lift | supplier | article |
|---|-----------------------------|-------------|-------------|----------|---------------|
| 180 | cover | 030JL29016 | 1 | | |
| 181 | cover | 030JL25044 | 1 | | |
| 182 | cover | 030JL25042 | 1 | | |
| 183 | cover | 030JL25043 | 1 | | |
| 184 | fixing device | 030JL05050 | 2 | | |
| 185 | bush | 030JL05047 | 1 | | |
| 186 | cover | 030JL09024 | 2 | | |
| 187 | cover | 030JL09026 | 2 | | |
|  188 | cover | 030JL09020 | 1 | | |
| 189 | cover | 030JL09022 | 1 | | |
| 190 | fixing device | 030JL05053 | 2 | | |
| 200 | Hall element switchr +cable | 990658 | 2 | U | HDD16ms60b155 |
| 201 | hydraulic tube 400mm | 981170 | 2 | I.1 | 2SCDN08 |
| 203 | hydraulic tube 3000mm | | 2 | | |
| 204 | hydraulic tube 4400mm | | 2 | | |
| 205 | hydraulic tube 3400 mm | | 1 | | |
| 206 | hydraulic tube 2000mm | | 1 | | |

| No. | désignation | référence | pièce/lift | fournisseur | articlé |
|---|-----------------------------------|------------|------------|-------------|---------------|
| 180 | couverture | 030JL29016 | 1 | | |
| 181 | couverture | 030JL25044 | 1 | | |
| 182 | couverture | 030JL25042 | 1 | | |
| 183 | couverture | 030JL25043 | 1 | | |
| 184 | élément de fixation | 030JL05050 | 2 | | |
| 185 | douille | 030JL05047 | 1 | | |
| 186 | couverture | 030JL09024 | 2 | | |
|  187 | couverture | 030JL09026 | 2 | | |
| 188 | couverture | 030JL09020 | 1 | | |
| 189 | couverture | 030JL09022 | 1 | | |
| 190 | élément de fixation | 030JL05053 | 2 | | |
| 200 | interrupteur Hall element + câble | 990658 | 2 | U | HDD16ms60b155 |
| 201 | tuyau hydraulique 400mm | 981170 | 2 | I.1 | 2SCDN08 |
| 203 | tuyau hydraulique 3000mm | | 2 | | |
| 204 | tuyau hydraulique 4400mm | | 2 | | |
| 205 | tuyau hydraulique 3400 mm | | 1 | | |
| 206 | tuyau hydraulique 2000mm | | 1 | | |

Absender; sender; expéditeur

Hebebühnentyp:
typ of lift:
typ automotive lift:.....

Seriennummer:
serialnumber:
no de serie:.....

Baujahr:
date of construction:
année d'installation:.....

| Nr. No. No. | Bezeichnung description désignation | Bestellnummer part number référence | Stück pieces pièce |
|-------------------|---|---|--------------------------|
| | | | |
| | | | |
| | | | |
| | | | |
| | | | |
| | | | |
| | | | |
| | | | |
| | | | |
| | | | |
| | | | |

Hersteller
Manufacturer
Maison productrice

| | |
|------------|------------------------------------|
| A | Fa. Bernstein Compact GmbH |
| B | Fa. Marquardt GmbH |
| C | Fa. Jung Fluidtechnik |
| D | Fa. SHS Schuster-Hehr-Schewe |
| E | Fa. Merz GmbH & Co. Kg |
| F | Fa. Hanning Elektro Werke GmbH |
| G | Fa. Robert Bosch GmbH |
| H | Fa. ABB GmbH |
| I | Fa. Omron Electronics GmbH |
| J | Fa. Deisslinger GmbH |
| K | Fa. Karl Müller GmbH |
| L | Fa. BTR Albert Metz |
| M | Fa. HTH Hydraulik GmbH |
| N | Fa. MHA Zentgraf |
| O | Fa. Kessel GmbH |
| P | Fa. Schöffler & Wörner GmbH & CO. |
| Q | Fa. Leroy Somer |
| R | Fa. IHD Ingenieurbüro |
| S | Fa. Busak- Shamban GmbH |
| T | Fa. Alltec GmbH |
| U | Fa. Klaschka GmbH |
| V | Fa. INA Wälzlager GmbH |
| W | Fa. Gutekunst & Co. |
| Z | Fa. Parker Prädifa GmbH |
| A.1 | Fa. Klöckner-Möller GmbH |
| B.1 | Fa. Hans-Georg Nussbaum GmbH & Co. |
| C.1 | Fa. Phönix GmbH |
| D.1 | Fa. Finder Relais GmbH |
| E.1 | Fa. RSG GmbH |
| F.1 | Fa. Friedrich Streb |
| G.1 | Fa. Eduard Hartmann |
| H.1 | Fa. Digisound-Electronics GmbH |
| I.1 | Fa. Schieffer GmbH & Co. Kg |
| J.1 | Fa. Festo KG |
| K.1 | Fa. Gutekunst & Co. |
| L.1 | Fa. Flutec |